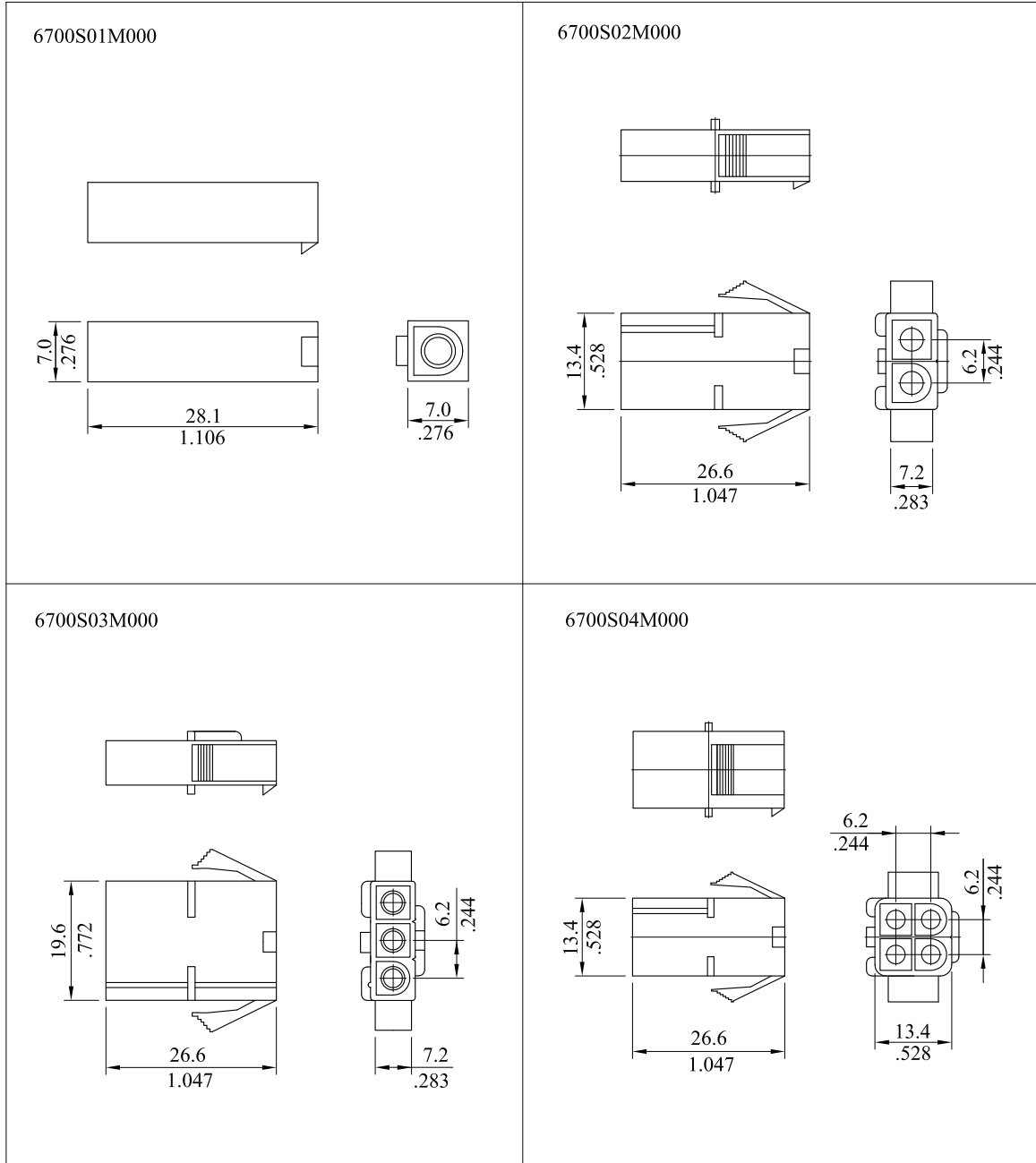


\*\*\* 6700 Series \*\*\*

RoHS COMPLIANT

Material: UL 94V-2 Nylon 6/6

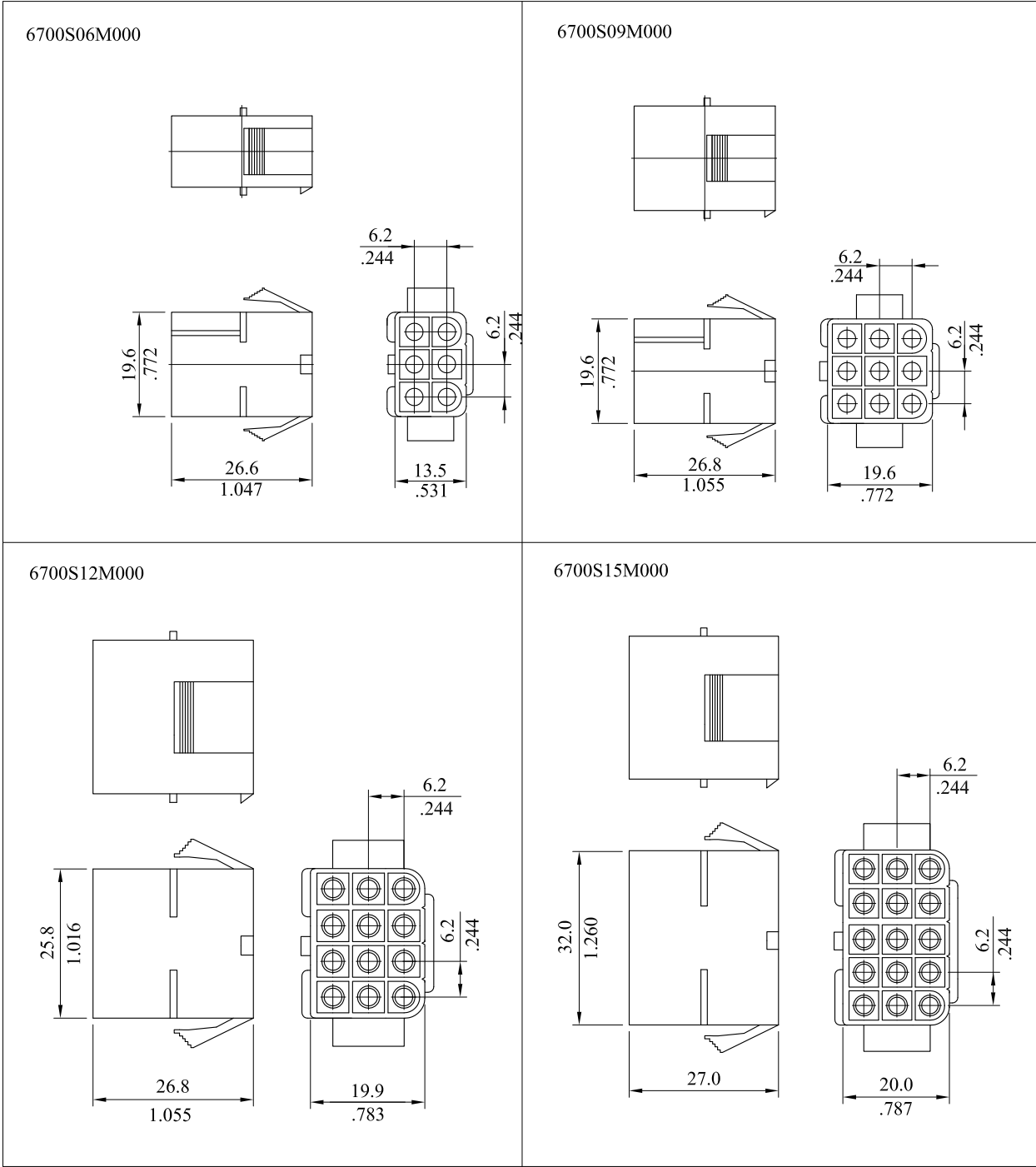


				<b>LEOCO CORPORATION</b>	APPROVED:	PART NO.:						
D	ES101211				<b>GENERAL TOLERANCES: (UNLESS SPECIFIED)</b>	DATE:	6700S**M000					
C	ES081001			mm		inch	CHECKED:	TITLE:				
B	ES060314			1 PLACE	± 0.30	± --	DATE:	HOUSING				
A	DWG REL			2 PLACES	± 0.20	± .012	DRAWN:	DRAWING NO.:				
REV.	ECO. NO.	CHG.	APP.	3 PLACES	± 0.10	± .008	DATE:	670001S				
				4 PLACES	± --	± .004		UNITS	SCALE	SIZE	SHEET	REV.
				ANGULAR ± ( 1° )		mm / inch		1:1	A4	1/2	D	

\*\*\* 6700 Series \*\*\*

RoHS COMPLIANT

Material: UL 94V-2 Nylon 6/6



				<b>LEOCO CORPORATION</b>	APPROVED:	PART NO.:				
D	ES101211				GENERAL TOLERANCES: (UNLESS SPECIFIED)	DATE:	6700S**M000			
C	ES081001				CHECKED:	TITLE:				
B	ES060314				DATE:	HOUSING				
A	DWG REL				DRAWN:	DRAWING NO.:				
REV.	ECO. NO.	CHG.	APP.		DATE:	670001S				
						UNITS	SCALE	SIZE	SHEET	REV.
					ANGULAR ± ( 1° )	mm / inch	1:1	A4	2/2	D