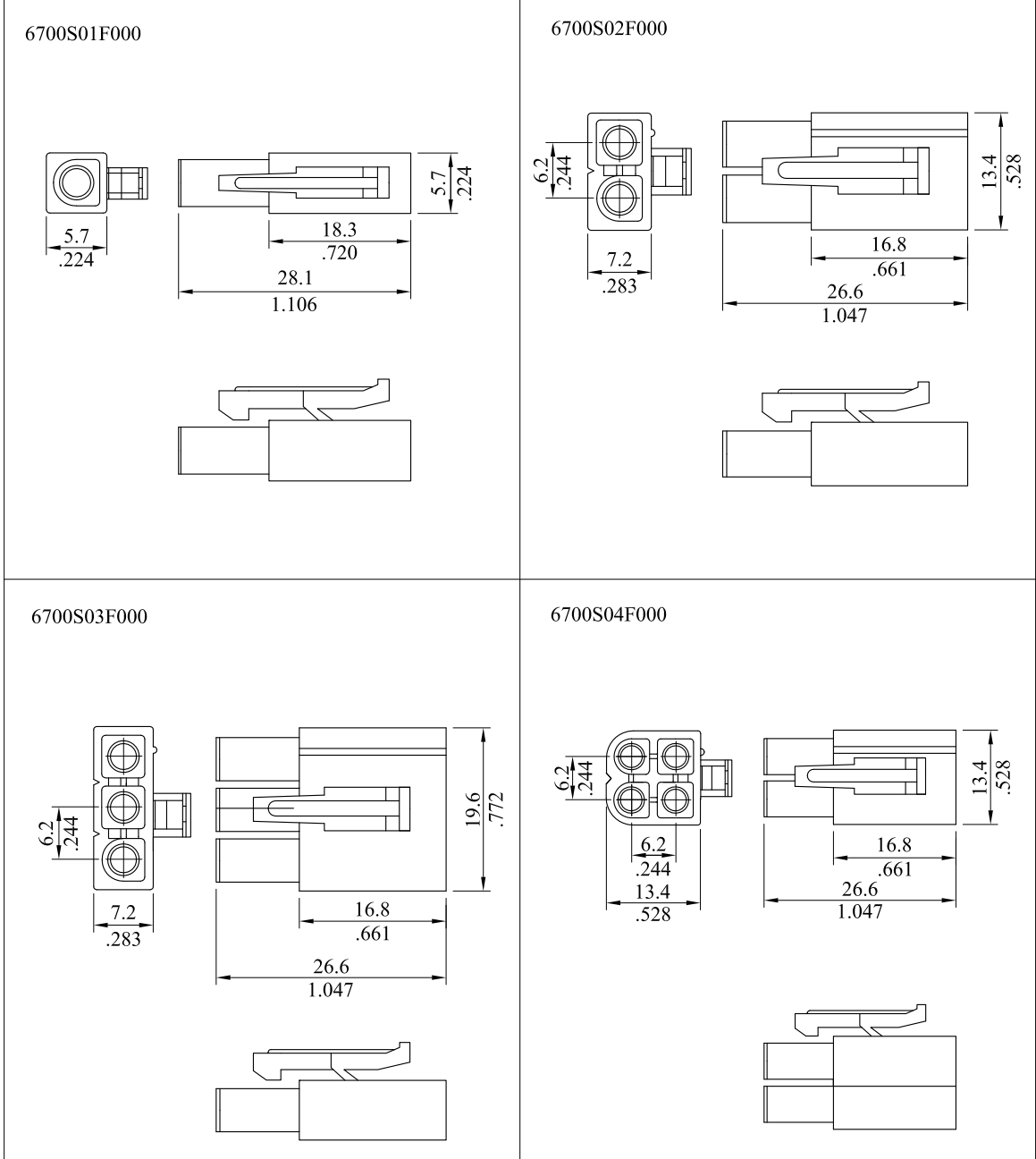


*** 6700 Series ***

RoHS COMPLIANT

Material: UL 94V-2 Nylon 6/6

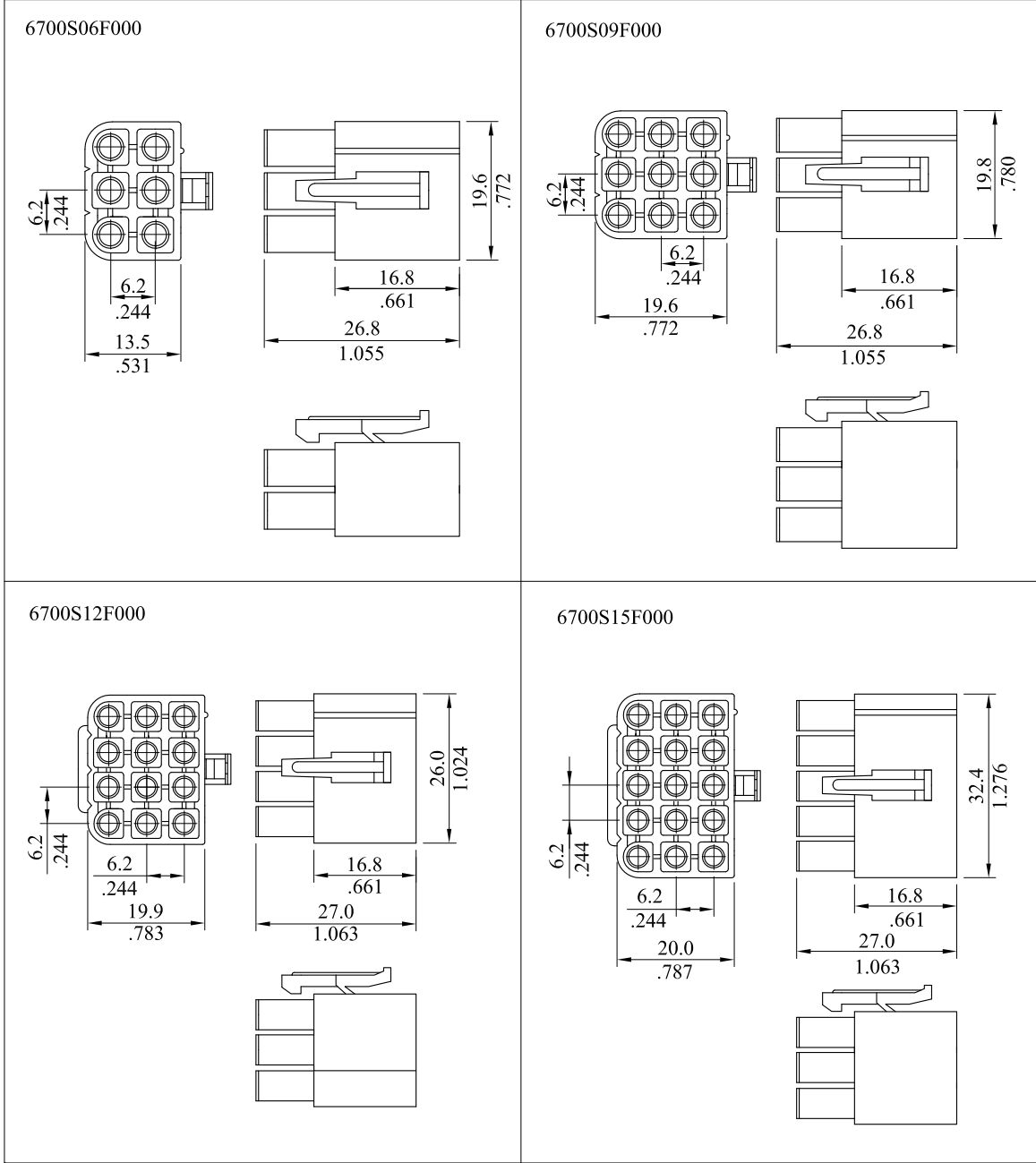


E	ES101211			LEOCO CORPORATION	APPROVED:	PART NO.:						
D	ES081001				GENERAL TOLERANCES: (UNLESS SPECIFIED)	DATE:	6700S**F000					
C	ES080452			mm		inch	CHECKED:	TITLE:				
B	ES060314			1 PLACE	± 0.30	± ---	DATE:	HOUSING				
A	DWG REL			2 PLACES	± 0.20	± .012	DRAWN:	DRAWING NO.:				
REV.	ECO. NO.	CHG.	APP.	3 PLACES	± 0.10	± .008	DATE:	670002S				
				4 PLACES	± ---	± .004		UNITS	SCALE	SIZE	SHEET	REV.
				ANGULAR ± (1°)				mm / inch	1:1	A4	1/2	E

*** 6700 Series ***

RoHS COMPLIANT

Material: UL 94V-2 Nylon 6/6



E	E	ES101211		LEOCO CORPORATION	APPROVED:		PART NO.:																					
D	D	ES081001			DATE:		6700S**F000																					
C	C	ES080452			CHECKED:		TITLE:																					
B	B	ES060314			DATE:		HOUSING																					
A	A	DWG REL		DRAWN:		DRAWING NO.:																						
REV.	ECO. NO.	CHG.	APP.	DATE:		670002S																						
				GENERAL TOLERANCES: (UNLESS SPECIFIED)		UNITS	SCALE	SIZE	SHEET	REV.																		
				<table border="1"> <thead> <tr> <th></th> <th>mm</th> <th>inch</th> </tr> </thead> <tbody> <tr> <td>1 PLACE</td> <td>± 0.30</td> <td>± ---</td> </tr> <tr> <td>2 PLACES</td> <td>± 0.20</td> <td>± .012</td> </tr> <tr> <td>3 PLACES</td> <td>± 0.10</td> <td>± .008</td> </tr> <tr> <td>4 PLACES</td> <td>± ---</td> <td>± .004</td> </tr> </tbody> </table>			mm	inch	1 PLACE	± 0.30	± ---	2 PLACES	± 0.20	± .012	3 PLACES	± 0.10	± .008	4 PLACES	± ---	± .004		<table border="1"> <tr> <td>mm</td> <td>inch</td> </tr> <tr> <td>1:1</td> <td>A4</td> </tr> </table>	mm	inch	1:1	A4	2/2	E
	mm	inch																										
1 PLACE	± 0.30	± ---																										
2 PLACES	± 0.20	± .012																										
3 PLACES	± 0.10	± .008																										
4 PLACES	± ---	± .004																										
mm	inch																											
1:1	A4																											
				ANGULAR ± (1°)																								