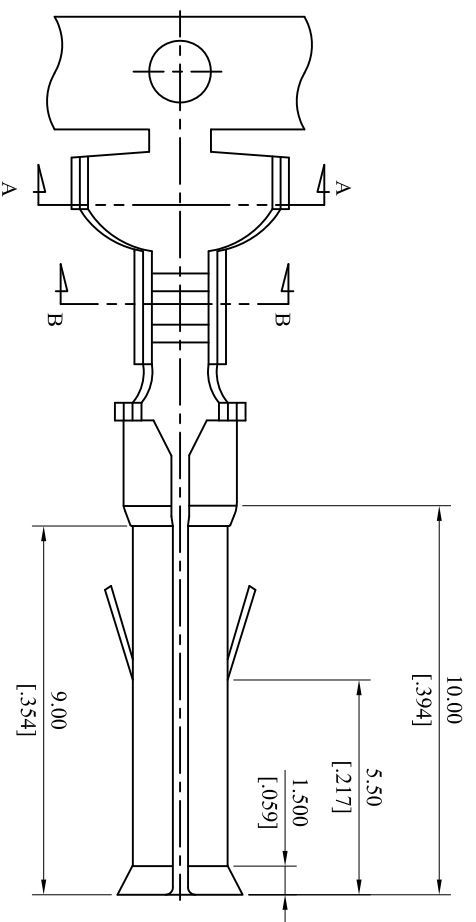
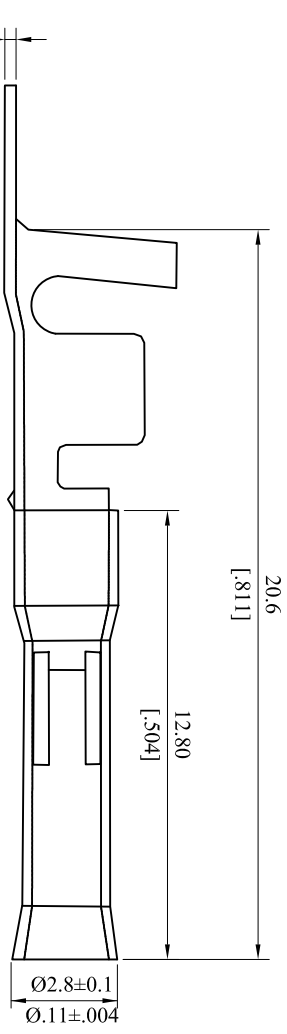
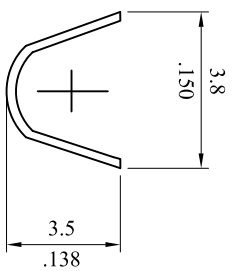


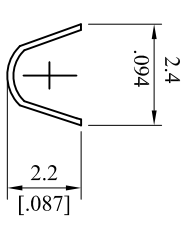
CUSTOMER DRAWING	
REV.	ECO. NO.
A	DWG. REL.
B	ES110121
C	ES161010
arcw7-D: 3.9-2.2	



6704 Terminal:  
 Wire range: AWG 18-22  
 Material: Brass  
 Plating: T=Tin plated 60u"min, over 30u" min. Nickel underplating overall



SECTION A-A



SECTION B-B

TOLERANCE UNLESS OTHERWISE SPECIFIED		LEOCO CORPORATION	
mm	inch	DATE: 2016.10.18	
[mm]	[inch]	TITLE: Terminal	
1 PLACES ± 0.30	± .012	APPROVED BY: Chard	DATE: 2016.10.18
2 PLACES ± 0.20	± .008	CHECKED BY: Angel	DATE: 2016.10.18
3 PLACES ± 0.10	± .004	DRAWN BY: Spring	DATE: 2016.10.18
4 PLACES ± .04	ANGULAR ±1°	PART NO.: 6704TCB0000	
		DRAWING NO.: 670401S	REV.: C
		SCALE: 1:1	SHEET: 1 OF 1