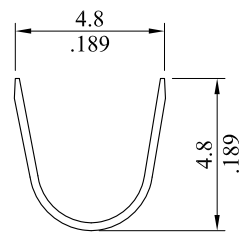
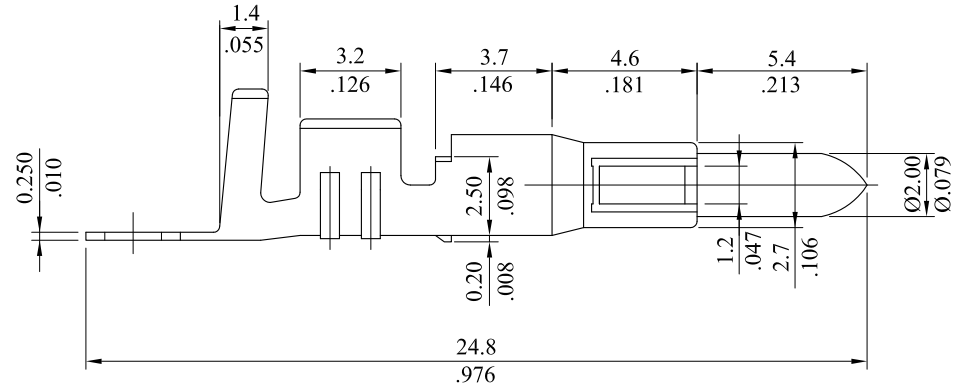
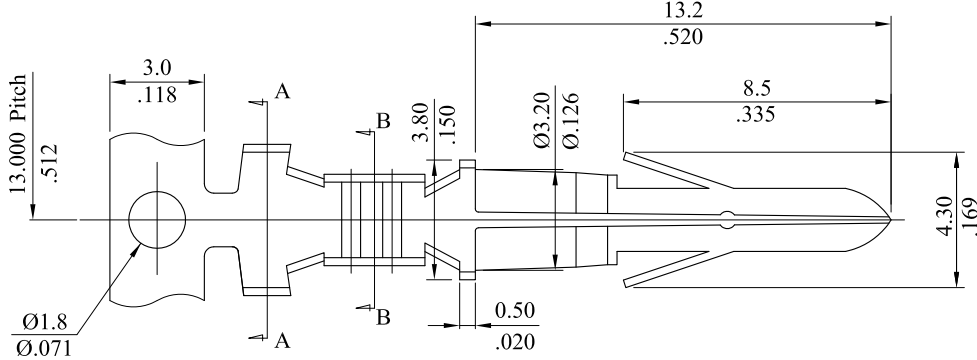
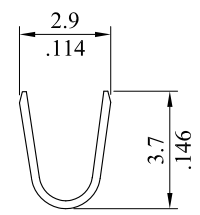


Material :
 Contact: Brass
 Plating: Tin plated 60μ " min .

RoHS COMPLIANT



Section A-A



Section B-B

				leoco LEOCO CORPORATION		APPROVED:		PART NO.:			
D ES110121				GENERAL TOLERANCES: (UNLESS SPECIFIED)		DATE:		6713TCB0000			
C ES101242						CHECKED:		TITLE:			
B E970379						DATE:		TERMINAL			
A DWG REL						DRAWN:		DRAWING NO.:			
REV. ECO. NO. CHG. APP.				4 PLACES ± -- ± .004		DATE:		671301S			
				ANGULAR ± (1°)		UNITS		SCALE	SIZE	SHEET	REV.
						mm / inch		4:1	A4	1/1	D