

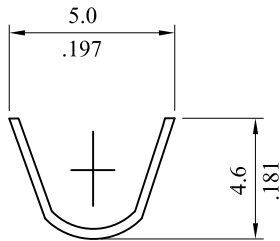
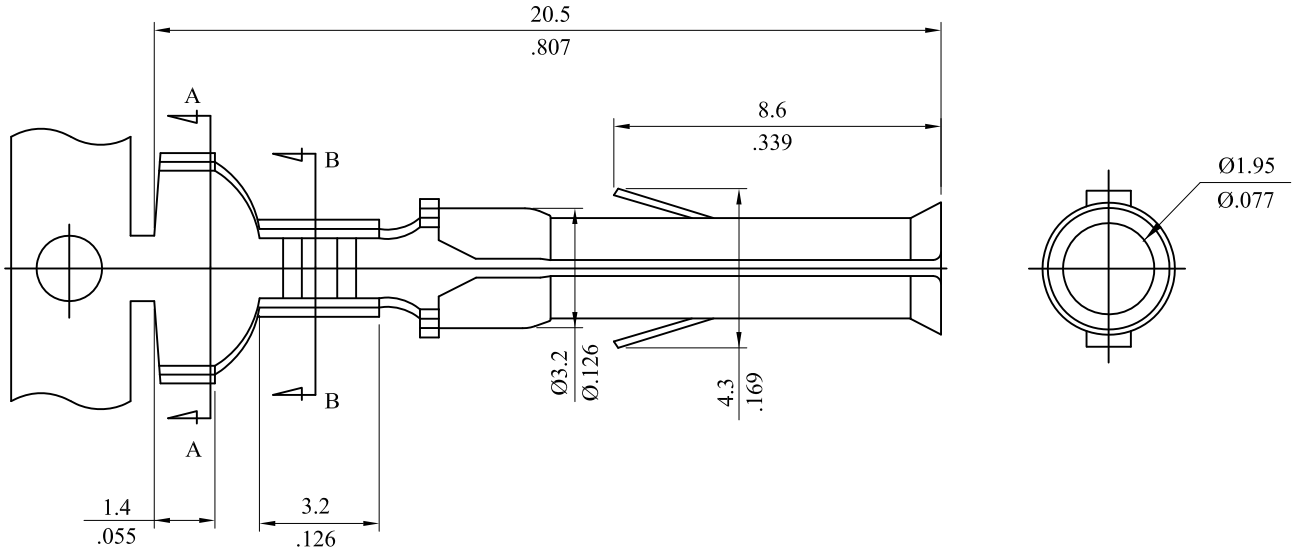
*** 6714 Series ***

RoHS COMPLIANT

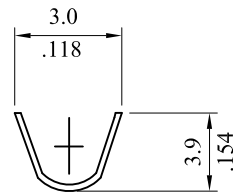
Material:

Contact: Brass

Plating: Tin plated 120μ" min over 30μ" min. nickel overall



SECTION A-A



SECTION B-B

				leoco LEOCO CORPORATION		APPROVED:		PART NO.:			
				GENERAL TOLERANCES: (UNLESS SPECIFIED)		DATE:		6714TCB0000			
C	ES101211					CHECKED:		TITLE:			
						DATE:		TERMINAL			
B	ES060301			1 PLACE ± 0.30 ± --		DRAWN:		DRAWING NO.:			
				2 PLACES ± 0.20 ± .012		DATE:		671401S			
				3 PLACES ± 0.10 ± .008				UNITS		SCALE	SIZE
A	DWG REL			4 PLACES ± -- ± .004						5:1	A4
REV.	ECO. NO.	CHG.	APP.	ANGULAR ± (1°)							