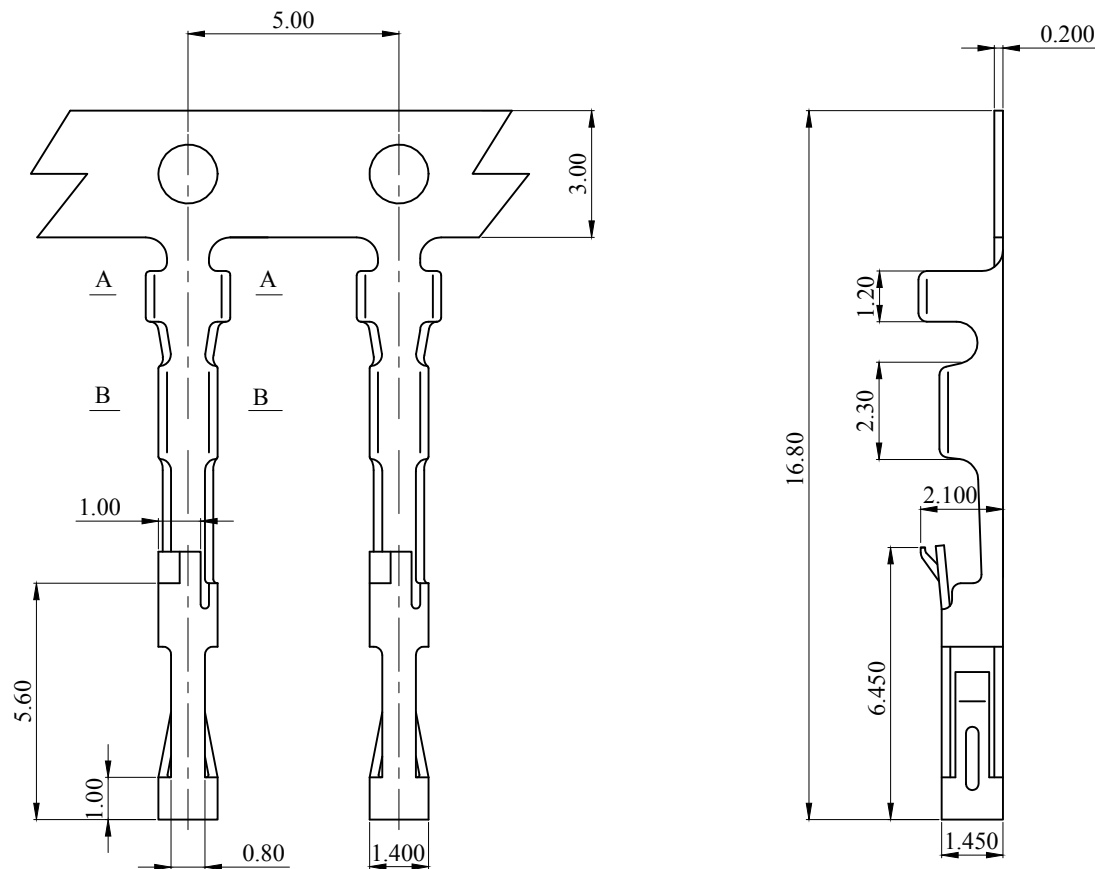
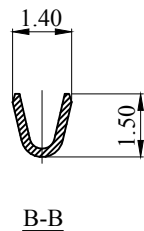
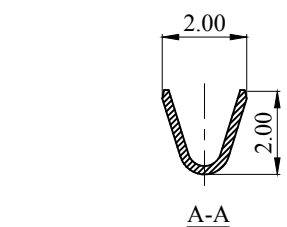




REV.	ECO. NO.	DESCRIPTION	DATE
D	ES150320	Update	2015.03.17
E	ES220109	Update	2022.01.26



Note:  
 Material:  
 Contact: Phosphor Bronze/Tin plated  
 Wire range: AWG#28~24



TOLERANCE UNLESS OTHERWISE SPECIFIED			 <b>LEOCO CORPORATION</b> <a href="http://www.leoco.com.tw">http://www.leoco.com.tw</a>		
mm	mm	inch	APPROVED BY:	DATE:	TITLE:
1 PLACE	± 0.30	± ---	Chard	2022.01.26	2.54Pitch Crimping Terminal
2 PLACES	± 0.20	± ---	CHECKED BY:	DATE:	
3 PLACES	± 0.10	± ---	DRAWN BY:	DATE:	PART NO.:
4 PLACES	± ---	± ---	Angel	2022.01.26	7058TPB0000
ANGULAR ±1°			SIZE:	SCALE:	 DRAWING NO.: REV.: SHEET:
			A3	1:1	