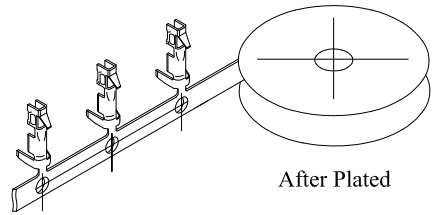
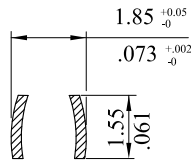
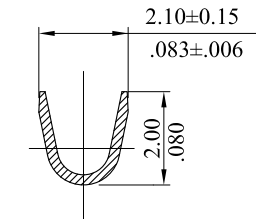
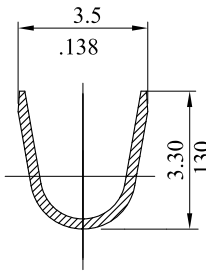
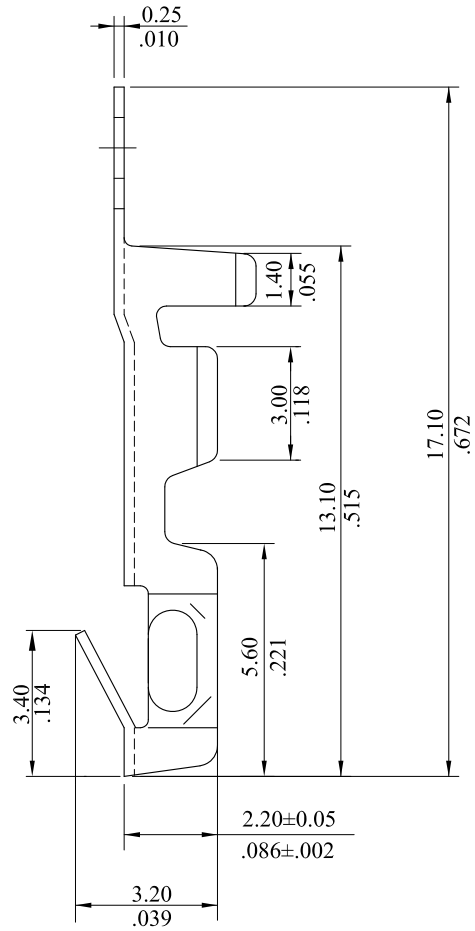
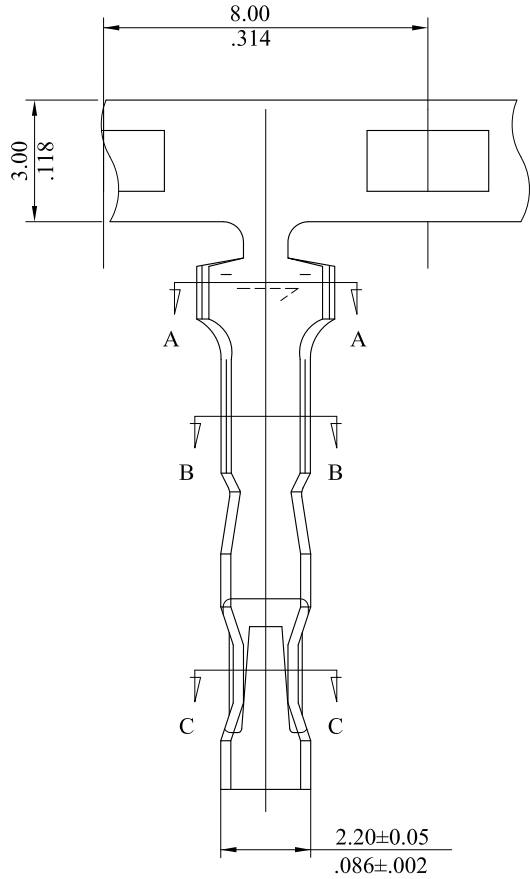


1. Material: Phosphor Bronze
 2. Wire Ranges: AWG 18~24, Insulation Dia: 2.48(.098)Max
 Ordering Information:
 7553TPB0E00
 Tin plated 120μ" min over 30μ" min. nickel overall

RoHS COMPLIANT



SECTION A-A

SECTION B-B

SECTION C-C

				leoco LEOCO CORPORATION		APPROVED:		PART NO.:					
D	ES101211			GENERAL TOLERANCES: (UNLESS SPECIFIED)		DATE:		7553T*B0E00					
C	ES040618	CHE				CHECKED:		TITLE:					
B	E980381	LCC				DATE:		TERMINAL					
A	DWG REL					DRAWN:		DRAWING NO.:					
REV.	ECO. NO.	CHG.	APP.			DATE:		755304S					
				ANGULAR ± (1°)				UNITS		SCALE	SIZE	SHEET	REV.
								mm inch		5:1	A4	1/1	D