

*** 7621 Series ***

Ordering Information :

7621 - 04 04 * 1
1 2

1. Contact plating:

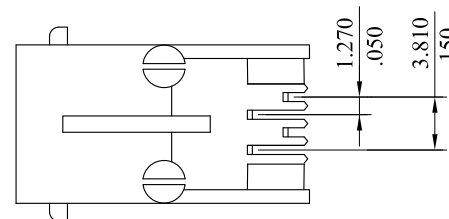
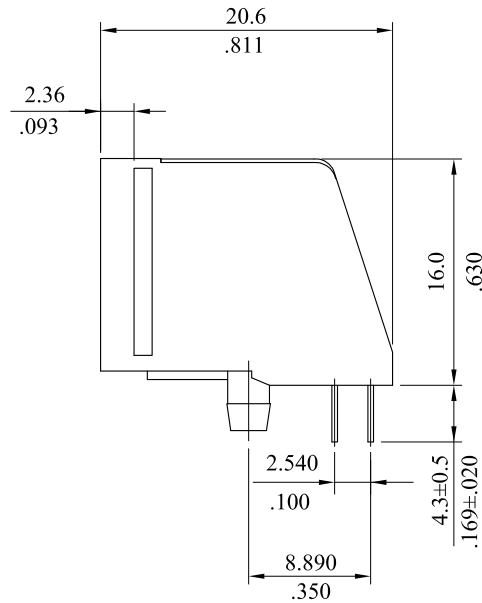
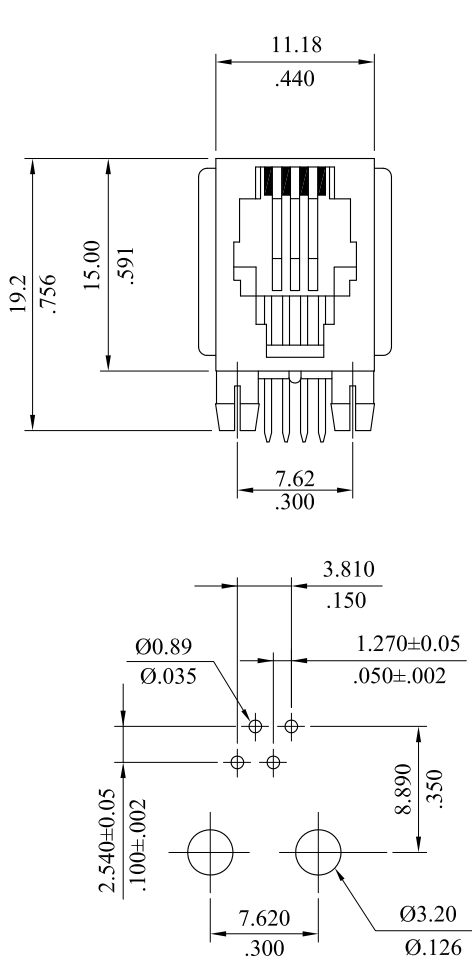
- U=Gold flash over 30μ "min. nickel overall
- W= 15μ "min. gold over 30μ " min. nickel overall
- Z= 30μ "min. gold over 30μ " min. nickel overall
- G= 50μ "min. gold over 30μ " min. nickel overall

2. 1 = Black(standard)

RoHS COMPLIANT

Material:

- * Insulator: UL94V-0 PBT
- * Contact: Phosphor bronze



Recommended PCB Hole Pattern

E	ES101204			LEOCO CORPORATION	APPROVED:	PART NO.:				
D	ES071028				GENERAL TOLERANCES: (UNLESS SPECIFIED)	DATE:	7621-0404*1			
C	ES050802				CHECKED:	TITLE:				
B	ES021014				DATE:	P.C.Board Mount Telephone Jack				
A	DWG REL				DRAWN:	DRAWING NO.:				
REV.	ECO. NO.	CHG.	APP.		DATE:	762101S				
						UNITS	SCALE	SIZE	SHEET	REV.
						$\frac{mm}{inch}$	2:1	A4	1/1	E