

Ordering Information

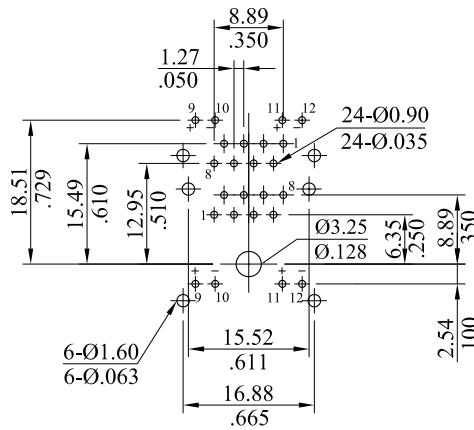
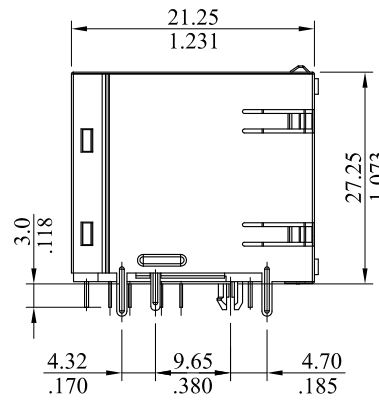
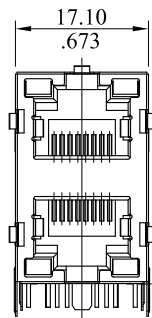
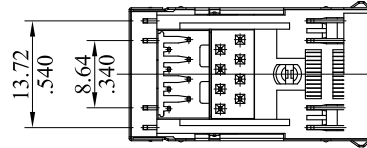
76A0-5 4 00 \* H  
1 2 3 4 5 6

1. Series No.
2. 5 = Tap Up
3. LED Code:  
4 = Left LED:Yellow Right LED:Green
4. Without schematic code:00
5. Contact plating:  
U = Gold flash over 30μ"min. nickel overall  
Z = 30μ"min. gold over 30μ"min. nickel overall  
F = Selective gold flash over 30μ" min. nickel plated overall  
J = 15μ"min.selective gold plated over 30μ" min.nickel overall  
K = 30μ"min.selective gold plated over 30μ" min.nickel overall
6. H= Shell spring1.0 and Spring(Top+Side)

Material:

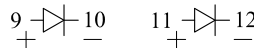
Plastic: High performance thermoplastic,UL 94V-0.  
Shell: High performance copper alloy or stainless steel contacts  
Contact: High performance copper alloy  
Input Pin: High performance copper alloy

RoHS COMPLIANT



RECOMMENDED PCB PATTERN

YELLOW 黄 GREEN 绿



				<b>leoco</b> LEOCO CORPORATION		APPROVED:		PART NO.:				
				GENERAL TOLERANCES: (UNLESS SPECIFIED)		DATE:		76A0-5400*H				
						CHECKED:		TITLE:				
						DATE:		NETWORKING 8P8C RJ45				
						DRAWN:		DRAWING NO.:				
						DATE:		76A001S				
A	DWG REL							UNITS	SCALE	SIZE	SHEET	REV.
REV.	ECO. NO.	CHG.	APP.	ANGULAR ± ( 1° )				mm inch	1:1	A4	1/1	A