

Ordering Information

76D0-5 4 00 \* M  
1 2 3 4 5 6

- 1. Series No.
- 2. 5 = Tap Up
- 3. LED Code:  
4 = Left LED:Yellow Right LED:Green

4. Without schematic code:00

5. Contact plating:

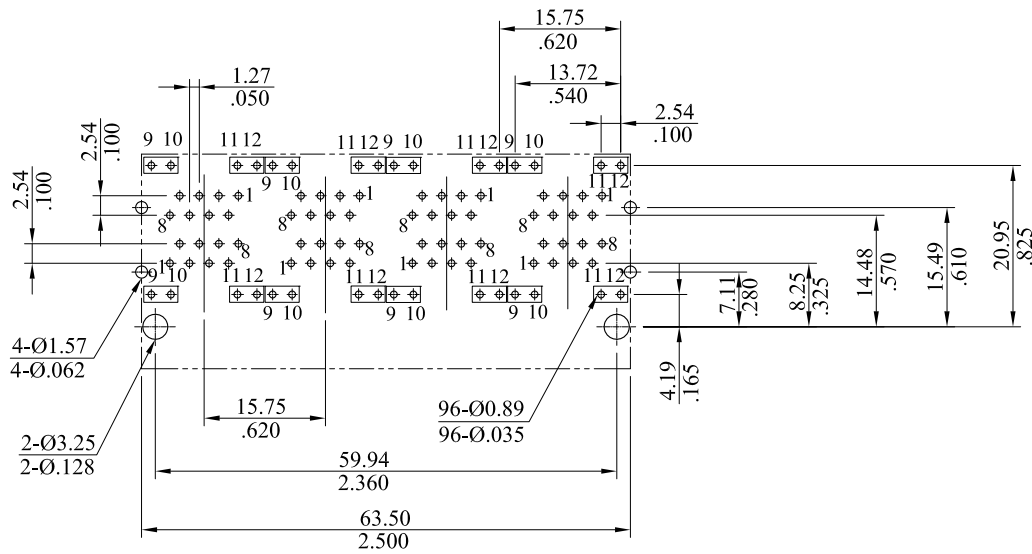
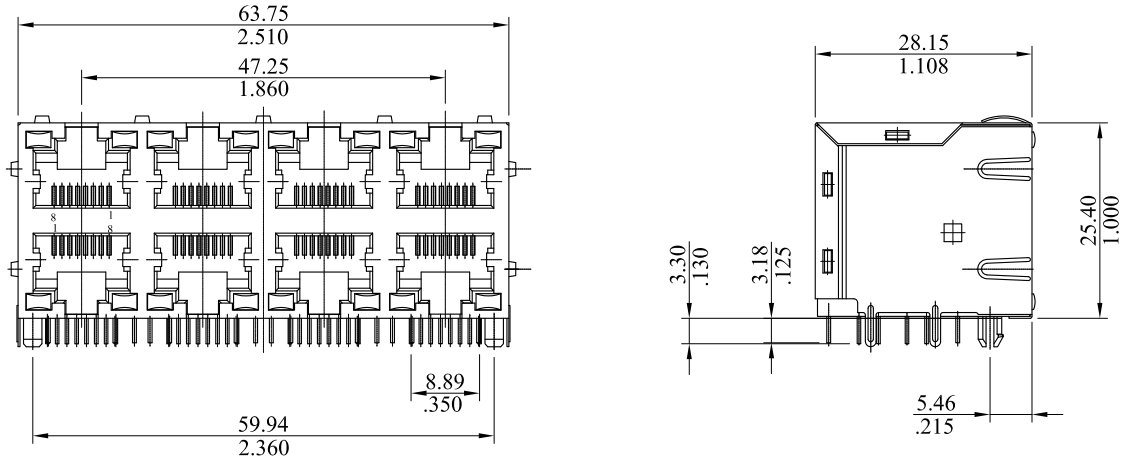
- U = Gold flash over 30μ"min. nickel overall
- Z = 30μ"min. gold over 30μ"min. nickel overall
- F = Selective gold flash over 30μ" min. nickel plated overall
- J = 15μ"min.selective gold plated over 30μ" min.nickel overall
- K = 30μ"min.selective gold plated over 30μ" min.nickel overall

6. M= Shell spring2.0 and Spring(Top+Side)

Material:

- Plastic: High performance thermoplastic,UL 94V-0.
- Shell: High performance copper alloy or stainless steel contacts
- Contact: High performance copper alloy
- Input Pin: High performance copper alloy

RoHS COMPLIANT



RECOMMENDED PCB PATTERN



				<b>leoco</b> LEOCO CORPORATION		APPROVED:		PART NO.:					
				GENERAL TOLERANCES: (UNLESS SPECIFIED)		DATE:		76D0-5400*M					
						CHECKED:		TITLE:					
						DATE:		NETWORKING 8P8C RJ45					
						DRAWN:		DRAWING NO.:					
						DATE:		76D001S					
								UNITS		SCALE	SIZE	SHEET	REV.
								mm / inch		1:1	A4	1/1	A
REV.	ECO. NO.	CHG.	APP.	ANGULAR ± ( 1° )									