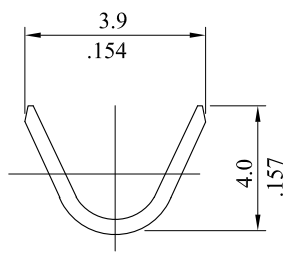
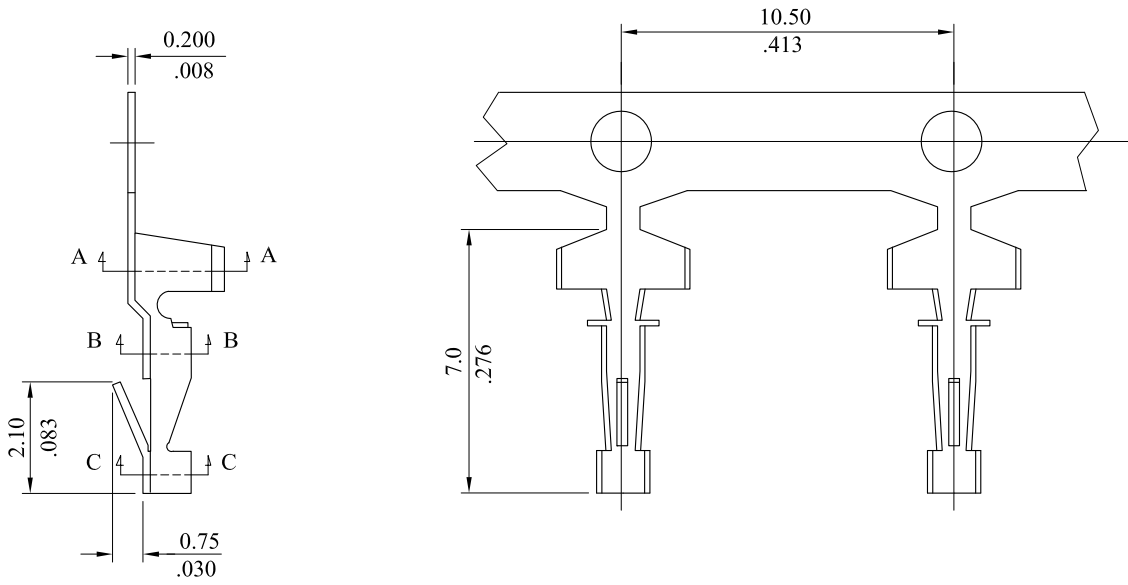


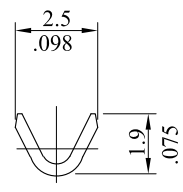
Notes:

- 1. Material: Phosphor Bronze.
- 2. Plating : Tin plated
- 3. Wire Ranges: AWG 18#~22#

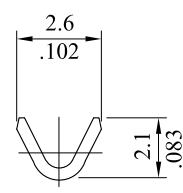
RoHS COMPLIANT



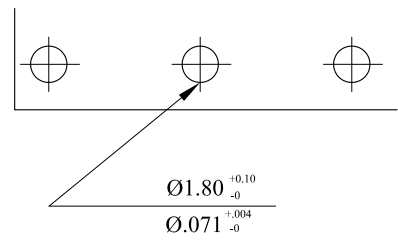
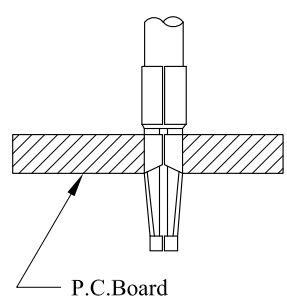
SECTION A-A



SECTION B-B



SECTION C-C



RECOMMENDED HOLE PATTERN

				LEOCO CORPORATION		APPROVED:		PART NO.: 9023TPB0S0A					
				GENERAL TOLERANCES: (UNLESS SPECIFIED)		DATE:		TITLE: TERMINAL					
						CHECKED:		DRAWING NO.: 902303S					
						DATE:							
B	ES101204			1 PLACE	± 0.30	± --	DRAWN:						
A	DWG REL			2 PLACES	± 0.20	± .012	DATE:						
				3 PLACES	± 0.10	± .008	DATE:						
REV.	ECO. NO.	CHG.	APP.	4 PLACES	± --	± .004			UNITS	SCALE	SIZE	SHEET	REV.
				ANGULAR ± (1°)					$\frac{mm}{inch}$	4:1	A4	1/1	B