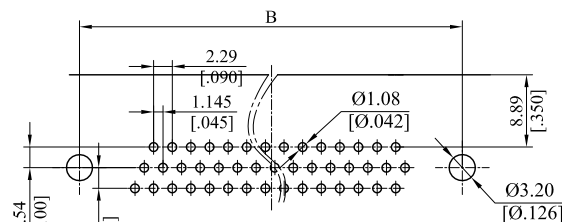
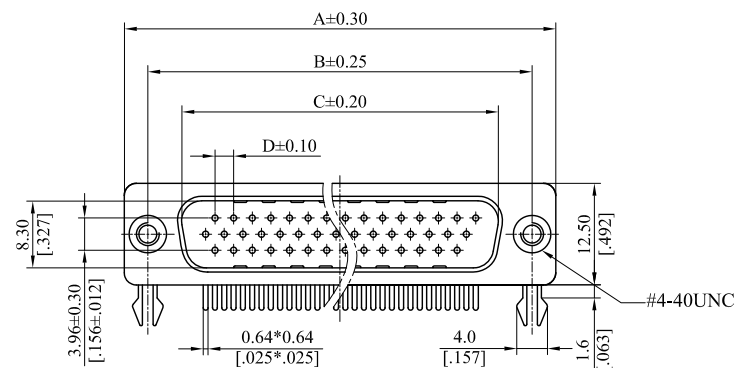
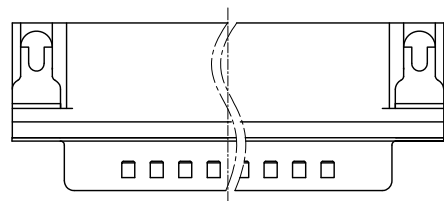


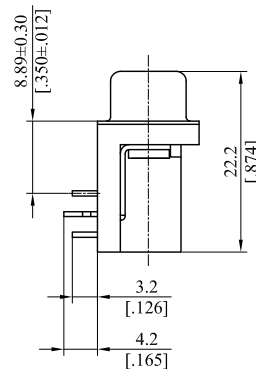
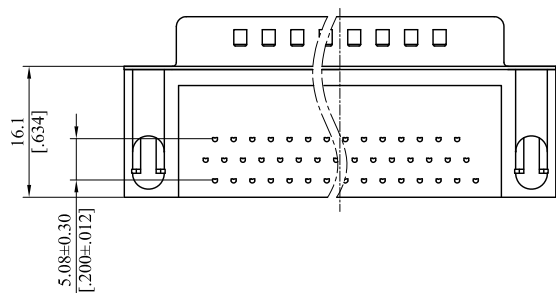
RoHS COMPLIANT

CUSTOMER DRAWING

REV.	ECO. NO.	DESCRIPTION	DATE
A	DWG. REL.	APPROVED	
B	ES970416		
C	ES971033		
D	ES190701	Update versions	2019.07.01



Recommended PCB Layout



Note:

Material:

Insulator: Thermoplastic, UL94 V-0, Black

Contact: Brass;

Shell: SPCC

General Part Number:

DHPL-***RL2

1 2

1. No. of circuits

2. Plating:

- U=Gold flash over 30µ" min.Nickel underplating overall
- W=15µ" min.Gold over 30µ" min.Nickel underplating overall
- Z=30µ" min.Gold over 30µ" min.Nickel underplating overall
- F=Selective Gold flash on contact area over 30µ" min.Nickel underplating overall,Tin plated on solder tails
- J=15µ" min.Selective Gold on contact area over 30µ" min.Nickel underplating overall,Tin plated on solder tails
- K=30µ" min.Selective Gold on contact area over 30µ" min.Nickel underplating overall,Tin plated on solder tails

62	69.40(2.732")	63.50(2.500")	55.40(2.181")	2.41(.095")
44	53.00(2.087")	47.00(1.850")	38.90(1.531")	2.29(.090")
26	39.20(1.543")	33.33(1.312")	25.30(.996")	2.29(.090")
15	30.80(1.213")	25.00(.984")	16.90(.665")	2.29(.090")
Circuits	A	B	C	D

TOLERANCE UNLESS OTHERWISE SPECIFIED

mm [inch]

	mm	inch
1 PLACE	± 0.30	± ---
2 PLACES	± 0.20	± .012
3 PLACES	± 0.10	± .008
4 PLACES	± ---	± .004

ANGULAR ±1°



LECO CORPORATION

<http://www.leco.com.tw>

APPROVED BY: Chard DATE: 2019.07.01

CHECKED BY: Angel DATE: 2019.07.01

DRAWN BY: Spring DATE: 2019.07.01

SIZE: A3 SCALE: 1:1



TITLE: PCB Mount High Density Plug Connector

PART NO.: DHPL-***RL2

DRAWING NO.: DHPL01S

REV.: D SHEET: 1 OF 1