

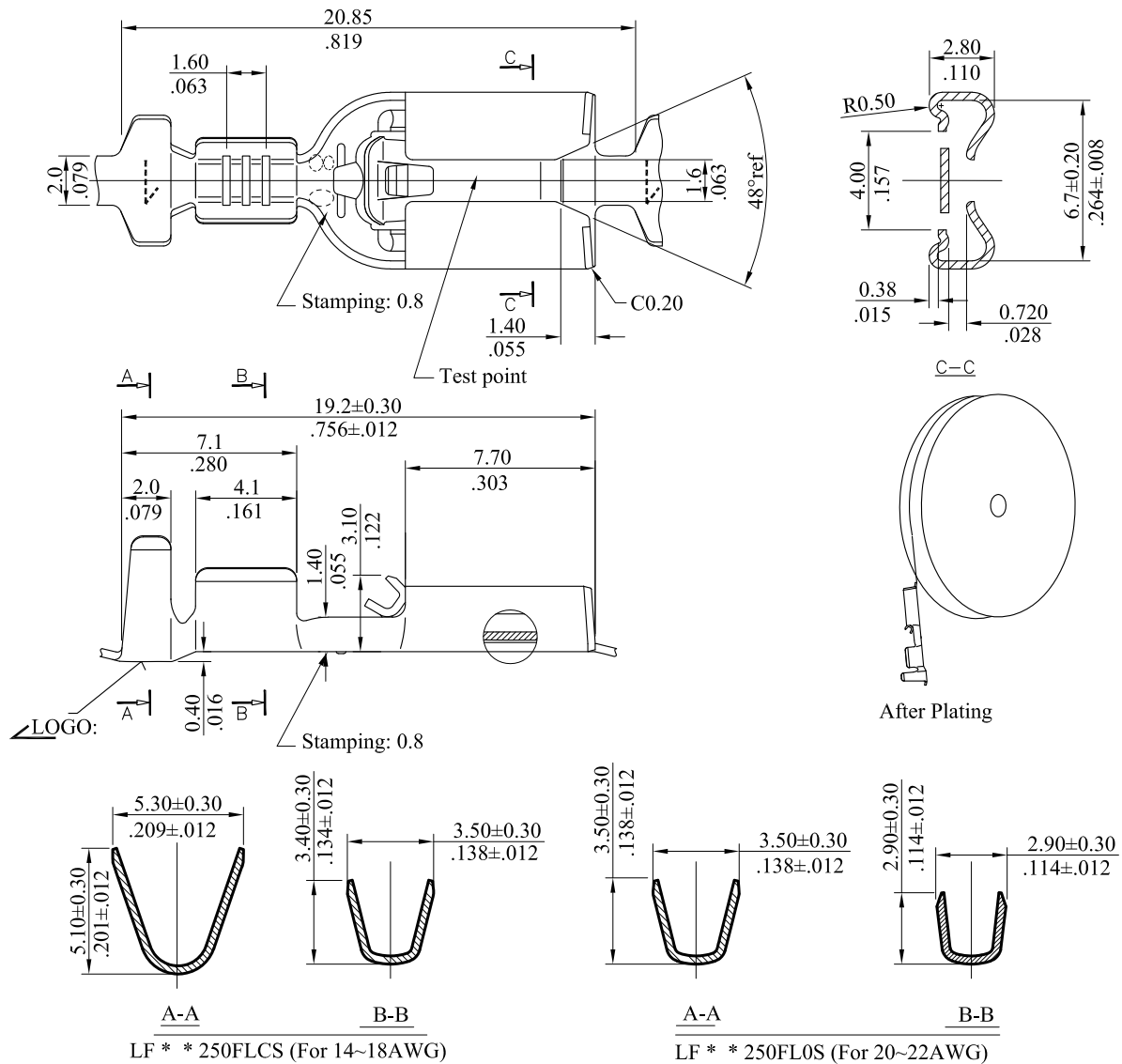
Note:

- Material: See the below information.
 Thickness: 0.35mm
 Finished: Tin-Argon Plating
- Insertion force ≤ 2.5 kg, Withdrawal force ≥ 1.0 kgf (with 0.8mm male terminal).
- Applicable wire: AWG 14 to 22
- Ordering Information:

RoHS COMPLIANT

LF * * 250FL * S
 1 2 3

- Plating:
 N=Unplating
 T=Tin plated 120u"
- Material:
 C=Phosphor bronze C5191
 B=Brass C2680
 S=SUS 304-CSP 1/2H (withstand 300°C)
- See below drawing.



E	ES130305	变更电镀后的绕向	LECO CORPORATION	APPROVED: CHARD	PART NO.:				
D	ES101137			DATE: 2013.03.14	LF * * 250FL * S				
C	ES090747		GENERAL TOLERANCES: (UNLESS SPECIFIED)	CHECKED: Topmoon	TITLE:				
B	ES080867			DATE: 2013.03.14	Terminal				
A	DWG REL			DRAWN: BRIGHT	DRAWING NO.:				
REV	ECO. NO.	DISCRIPTION		DATE: 2013.03.14	LFTC09S				
					UNITS	SCALE	SIZE	SHEET	REV.
			ANGULAR ± (1°)		mm inch	3:1	A4	1/1	E