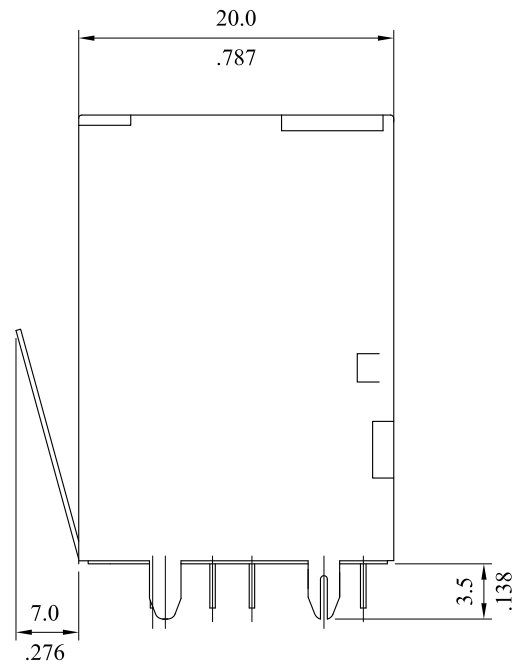
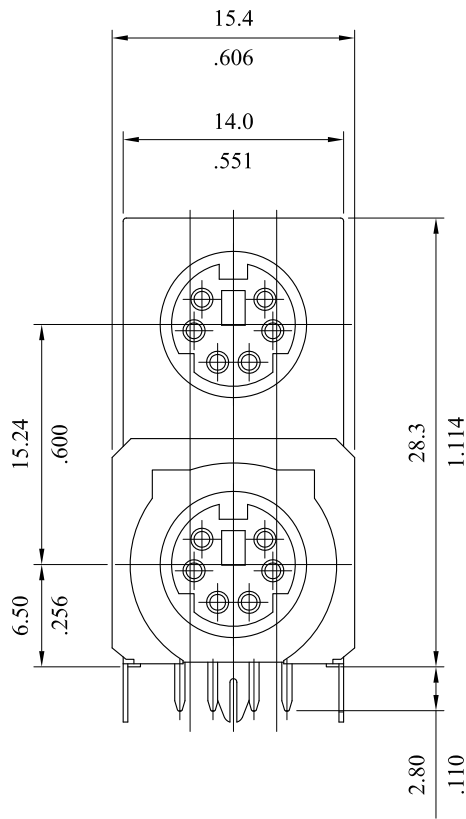


RoHS COMPLIANT

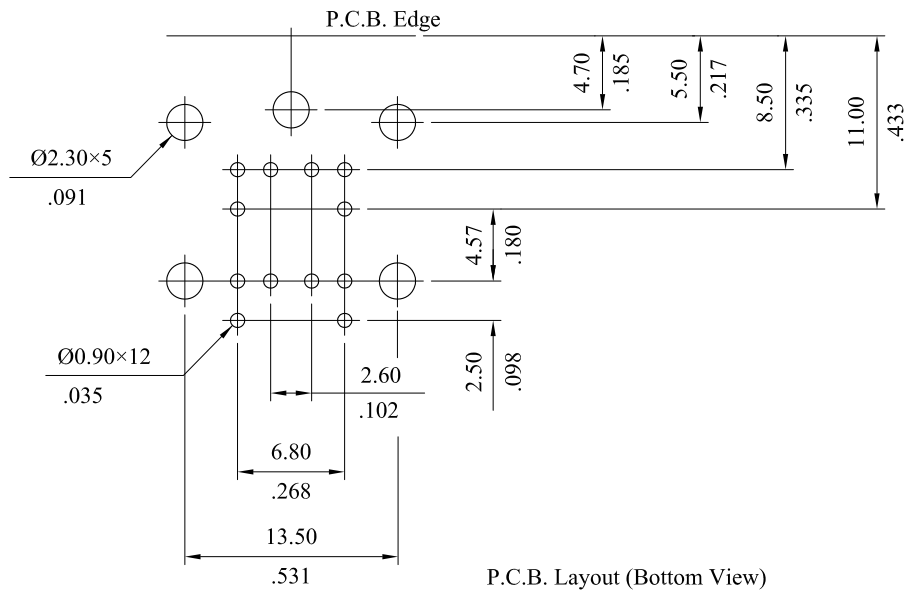
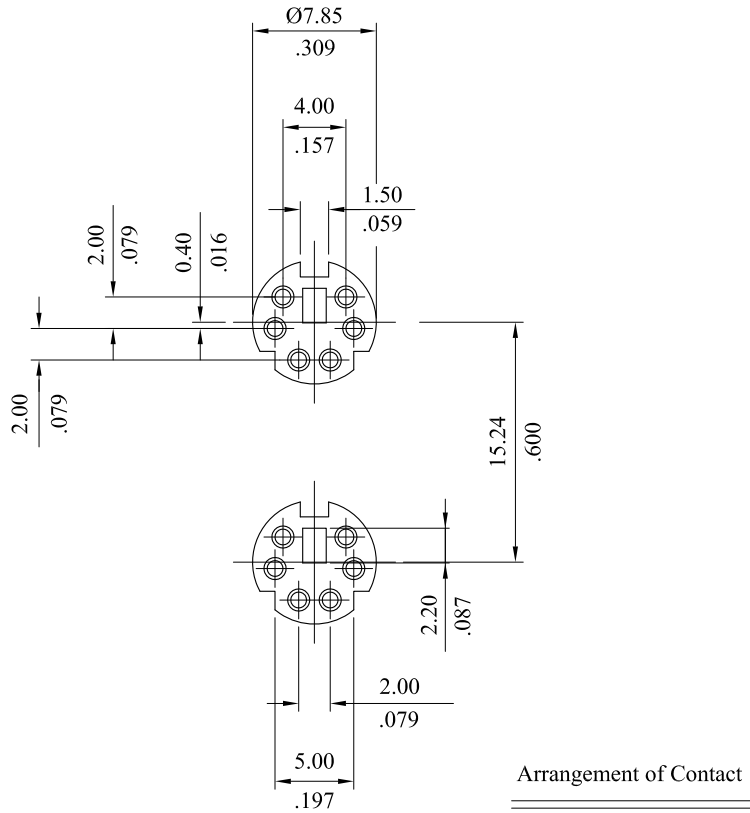
Material :

- \* Insulator: PBT UL94V-0 COLOR:BLACK
- \* Contact: Phosphor Bronze
- \* Shield: Brass



				<b>leoco</b> LEOCO CORPORATION		APPROVED:		PART NO.:				
				GENERAL TOLERANCES: (UNLESS SPECIFIED)		DATE:		MDSL-06SD0S				
						CHECKED:		TITLE: Miniature Circular Connector With Shielded Stacked Type				
C	ES101137					DATE:		DRAWING NO.:				
B	ES070526			1 PLACE	± 0.30	± --	DRAWN:		MDSL29S			
A	DWG REL			2 PLACES	± 0.20	± .012	DATE:					
REV.	ECO. NO.	CHG.	APP.	3 PLACES	± 0.10	± .008	UNITS		SCALE	SIZE	SHEET	REV.
				4 PLACES	± --	± .004	mm		2:1	A4	1/2	C
				ANGULAR ± ( 1° )		inch						

RoHS COMPLIANT



C	ES101137		
B	ES070526		
A	DWG REL		
REV.	ECO. NO.	CHG.	APP.

<b>LEOCO CORPORATION</b>		
GENERAL TOLERANCES: (UNLESS SPECIFIED)		
	mm	inch
1 PLACE	± 0.30	± --
2 PLACES	± 0.20	± .012
3 PLACES	± 0.10	± .008
4 PLACES	± --	± .004
ANGULAR ± ( 1° )		

APPROVED:	
DATE:	
CHECKED:	
DATE:	
DRAWN:	
DATE:	

PART NO.:			
MDSL-06SD0S			
TITLE: Miniature Circular Connector With Shielded Stacked Type			
DRAWING NO.:			
MDSL29S			
UNITS	SCALE	SIZE	SHEET
mm inch	2:1	A4	2/2
REV.	C		