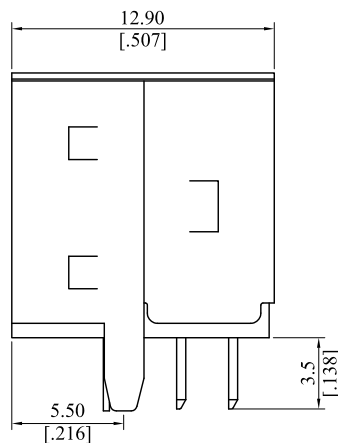
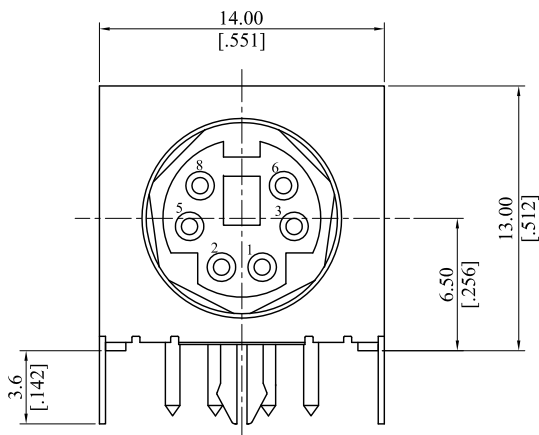


RoHS COMPLIANT

CUSTOMER DRAWING

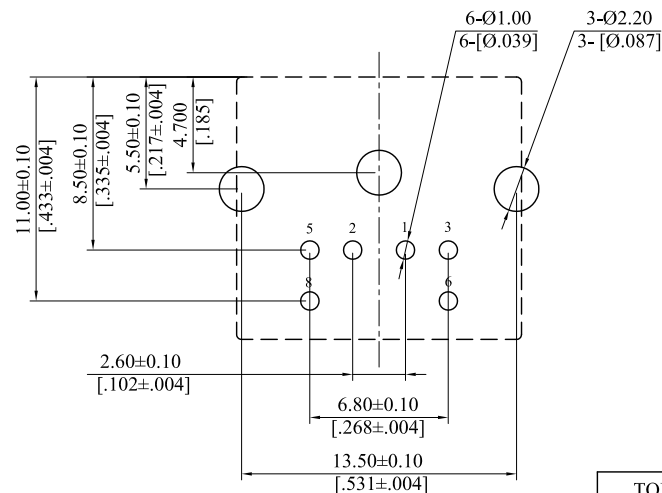
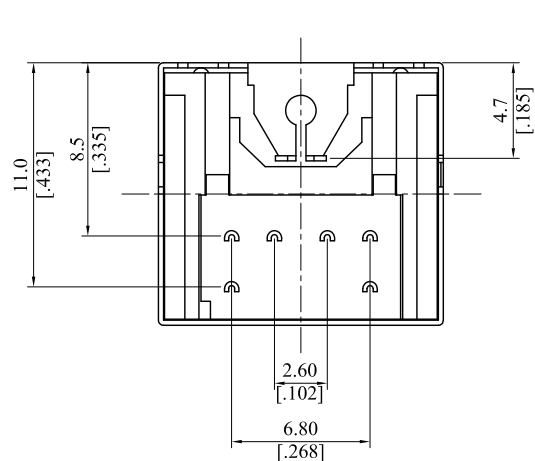
REV.	ECO. NO.	DESCRIPTION	DATE
A	DWG. REL.	APPROVED	2018.06.14
B	ES181109	C-5: 3.2±0.5→3.5±0.3	2018.11.27



Note:

Material:  
 Insulator: Thermoplastic, UL94 V-0, Black  
 Terminal: Copper Alloy; Selective gold flash on contact area over 30µ"min. nickel overall, Tin plated on solder or other area

General Part Number:  
 MDSL-06 SE0A  
 I  
 1. No. of circuit.



PCB Layout (Bottom View)

TOLERANCE UNLESS OTHERWISE SPECIFIED			LEOCO CORPORATION <i>http://www.leoco.com.tw</i>		
mm	mm	inch	APPROVED BY:	DATE:	TITLE:
[inch]			Chard	2018.11.27	Mini Din 6 Pin JACK
1 PLACE	± 0.30	± ---	CHECKED BY:	DATE:	
2 PLACES	± 0.20	± .012	Shirley	2018.11.27	PART NO.: MDSL-06SE0A
3 PLACES	± 0.10	± .008	DRAWN BY:	DATE:	
4 PLACES	± ---	± .004	Spring	2018.11.27	DRAWING NO.: MDSL47S
ANGULAR ±1°			SIZE: A3	SCALE: 1:1	REV.: B
			SHEET: 1 OF 1		