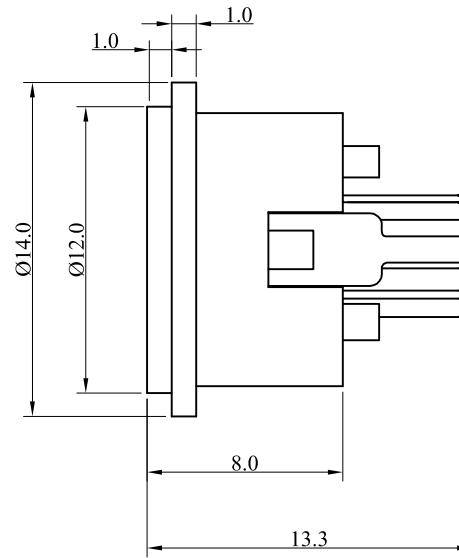
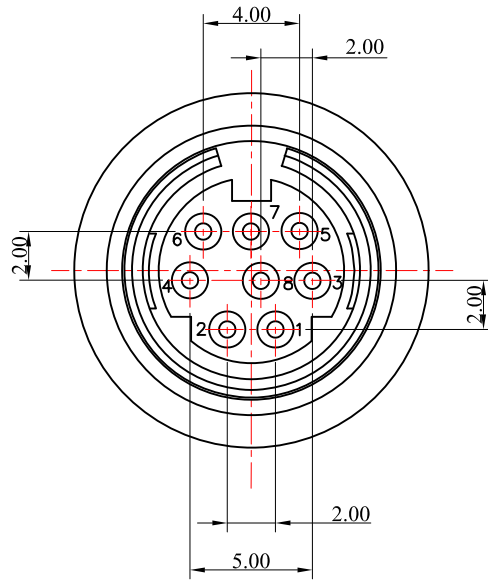


REV.	ECO. NO.	DESCRIPTION	DATE
A	DWG. REL.	APPROVED	
B	ES101137		
C	ES221008	Delete 4p/5p/6p	2022.10.19



Note:

Material:
 Insulator: Thermoplastic, UL94 V-0, Black
 Terminal: Brass
 Shell: Brass

General Part Number:

MDST- 08 * 000
 1 2

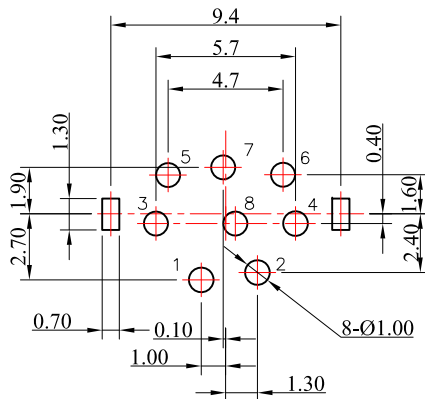
1. No. of circuit.

2. Plating:

0= Tin plated 120u" min. over 30u" min. Nickel underplating overall

S= Silver plated

U= Gold flash over 30u" min. Nickel underplating overall



PCB Layout (Bottom View)

TOLERANCE UNLESS OTHERWISE SPECIFIED			LEOCO CORPORATION http://www.leoco.com.tw			
mm	mm	inch	APPROVED BY:	DATE:	TITLE:	
1 PLACE	± 0.30	± ---	Chard	2022.10.19	8 Pin Socket Mini Din	
2 PLACES	± 0.20	± ---	CHECKED BY:	DATE:		
3 PLACES	± 0.10	± ---	Angel	2022.10.19	PART NO.: MDST-08*000	
4 PLACES	± ---	± ---	DRAWN BY:	DATE:		
ANGULAR ±1°			Spring	2022.10.19	DRAWING NO.:	REV.:
			SIZE: A3	SCALE: 1:1	MDST01S	C
					SHEET: 1 OF 1	