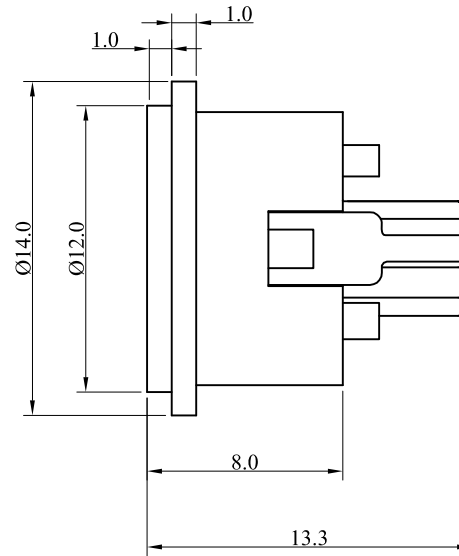
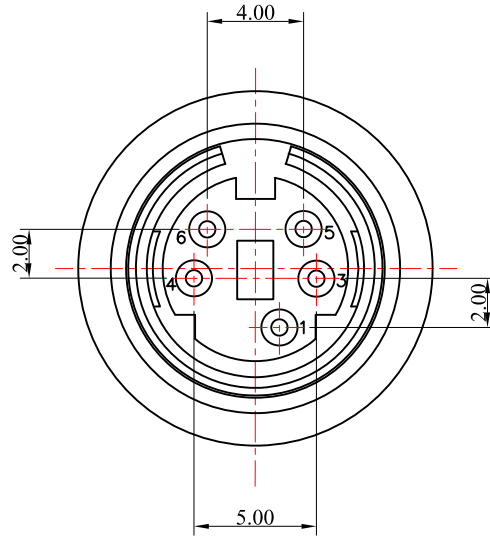


REV.	ECO. NO.	DESCRIPTION	DATE
A	DWG. REL.	APPROVED	2022.10.19



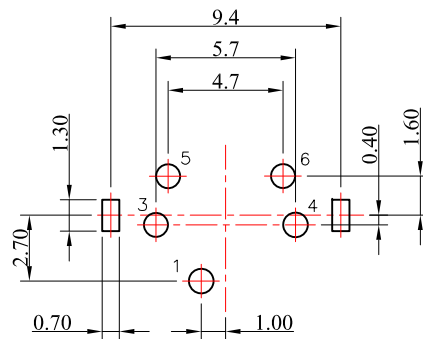
Note:

Material:  
 Insulator: Thermoplastic, UL94 V-0, Black  
 Terminal: Brass  
 Shell: Brass

General Part Number:

MDST-  $\frac{05}{1} * \frac{000}{2}$

- No. of circuit.
- Plating:  
 0= Tin plated 120u" min. over 30u" min. Nickel underplating overall  
 S= Silver plated  
 U= Gold flash over 30u" min. Nickel underplating overall



PCB Layout (Bottom View)

TOLERANCE UNLESS OTHERWISE SPECIFIED			LEOCO CORPORATION <a href="http://www.leoco.com.tw">http://www.leoco.com.tw</a>		
mm	mm	inch	APPROVED BY: Chard	DATE: 2022.10.19	TITLE: 5 Pin Socket Mini Din
1 PLACE	± 0.30	± ---	CHECKED BY: Angel	DATE: 2022.10.19	PART NO.: MDST-05*000
2 PLACES	± 0.20	± ---	DRAWN BY: Spring	DATE: 2022.10.19	
3 PLACES	± 0.10	± ---	SIZE: A3	SCALE: 1:1	DRAWING NO.: MDST06S
4 PLACES	± ---	± ---	ANGULAR ±1°		REV.: A
					SHEET: 1 OF 1